

Space S

Enjoy the silence

www.mute.design



Space for phone calls

More than a simple pod, Space S is packed with technological goodness in a meticulously designed construction, where you can make phone calls without being distracted by the surroundings. Its beautiful design and best in class acoustic properties, make Space S a refined symbiosis of style, craftsmanship and performance.

Colours



1

Walls and roof

STANDARD



OPTIONS



2 | 3

Frame finish | Tabletop

STANDARD

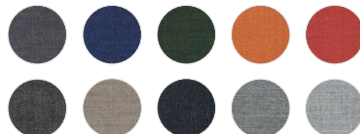


OPTIONS



4

Stool




5

Felt



Equipment

| | | | | | |
|----------|---|--|---|---|---|
| STANDARD |  Ventilation system |  LED light |  Occupancy sensor |  Electric socket |  Dark grey carpet |
| OPTIONS |  USB |  Phone induction charger |  LAN connection | | |

Configuration examples



1 **Exterior Metal Walls**
Pumpkin Orange Ultra Matt
Exterior Frame
Pumpkin Orange
Interior Stool Fabric
Remix2 543



2 **Exterior Metal Walls**
Navy Blue Ultra Matt
Exterior Frame
Navy Blue
Interior Stool Fabric
Remix2 773



3 **Exterior Metal Walls**
New York Grey
Exterior Frame
New York Grey
Interior Stool Fabric
Remix2 123



4 **Exterior Metal Walls**
Panther Black Ultra Matt
Exterior Frame
Walnut Veneer
Interior Stool Fabric
Remix2 242



5 **Exterior Metal Walls**
Basil Green Ultra Matt
Exterior Frame
Oak Veneer
Interior Stool Fabric
Remix2 982



6 **Exterior Metal Walls**
St. Tropez Yellow Ultra Matt
Exterior Frame
Oak Veneer
Interior Stool Fabric
Remix2 242

Details



Efficient ventilation and lighting



Precise finish



Phone induction charger
[optional]



Comfortable, adjustable stool
[optional]

Space S versions



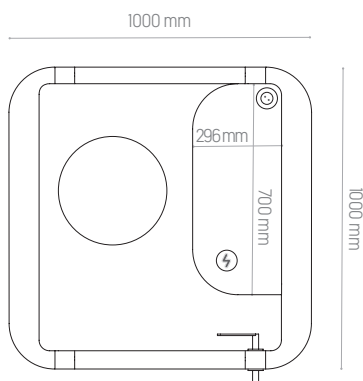
Version with a stool

Are you planning a longer phone call?
Do you need to take notes?
Sit comfortably on the stool and talk.



Version without a stool

Short phone call?
Do you need a moment of peace?
Enter the pod and talk in silence.



Technical information

Materials used

- Construction: a plywood framework filled with a proprietary composition of the best sound isolating and absorbing materials developed in the MuteDesign acoustic lab
- Exterior: painted metal and veneer or laminate
- Interior: felt
- Glass: soundproof glass

Parameters

- Exterior: 1000 mm*1000 mm*2247 mm [length * width * height]
- Interior: 887 mm*805 mm*2080 mm [length * width * height]
- Width of left handed door: 892 mm
- Height of tabletop: 1095 mm
- Height of the stool: 600 mm to 795 mm
- Weight: 350 kg

Acoustic properties

- One of the best sound insulation results on the market [ask us for more details]
- Very short reverberation time inside: $RT_{20} \leq 0,2s$
- Extremely quiet and efficient ventilation: noise generated inside <30 dBA / outside <32dBA

Energy consumption

- During operation: 8W
- In standby mode: 0.1W

Certificates

